

IP Desktop

Professional USB desktop controllers •
non-contacting Hall effect technology



DISTINCTIVE FEATURES

Three axis for PTZ control

USB 2.0 HID compliant “game controller”

12 momentary pushbuttons

Easy to install and operate

Available in two color options



ENVIRONMENTAL SPECIFICATIONS

- Operating Temperature: -25 °C to +85 °C (-13 °F to +185 °F)
- Storage Temperature: -25 °C to +85 °C (-13 °F to +185 °F)
- Sealing: None
- EMC Immunity Level: CE compliant, EMC directive 2004/108/EC, FCC Part 15 Subpart B, Class B
- EMC Immunity Level: CE compliant, EMC directive 2004/108/EC, FCC Part 15 Subpart B, Class B



MECHANICAL SPECIFICATIONS

- Operating Force: 2.8 N (0.63 lbf)
- Maximum Vertical Load: 200 N (45 lbf)
- Maximum Horizontal Load: 200 N (45 lbf)
- Mechanical Angle of Movement: 36° X & Y axis, 60° Z axis
- Expected Mechanical Life: 3 million lifecycles
- Mass/weight: 440 g (0.97 oz)
- Lever Action (centering): Spring



MATERIALS

- Body: ABS
- Shaft: Stainless steel
- Boot: Silicone
- Handle: Glass filled nylon

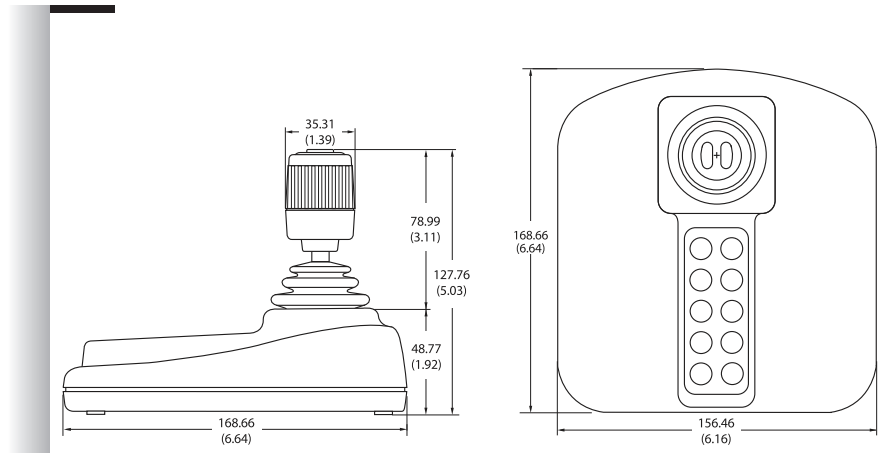
The company reserves the right to change specifications without notice.



IP desktop

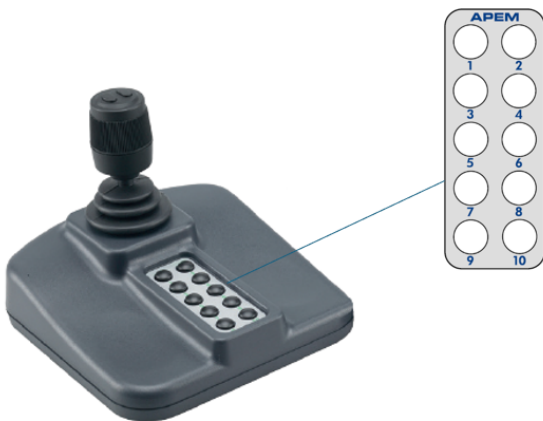
Professional USB desktop controllers •
non-contacting Hall effect technology

DIMENSIONS



NOTES:
Dimensions are in mm/(inch).

PART NUMBER



- 100550BLKRFL *(with the push button label)*
- 100550BLKRF *(without the push button label)*